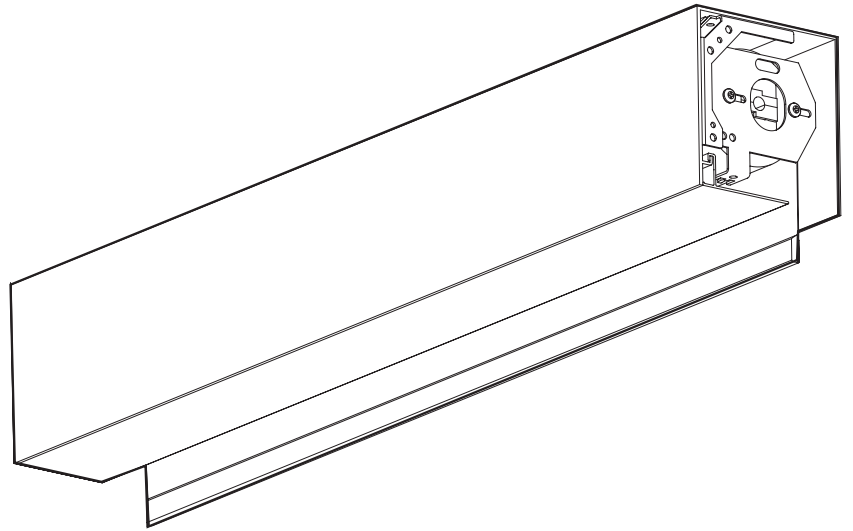


Sun Shade

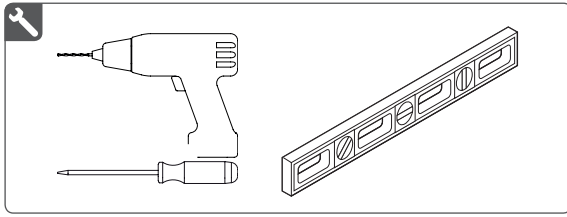


Pocket Mounted Shade

Installation Guide

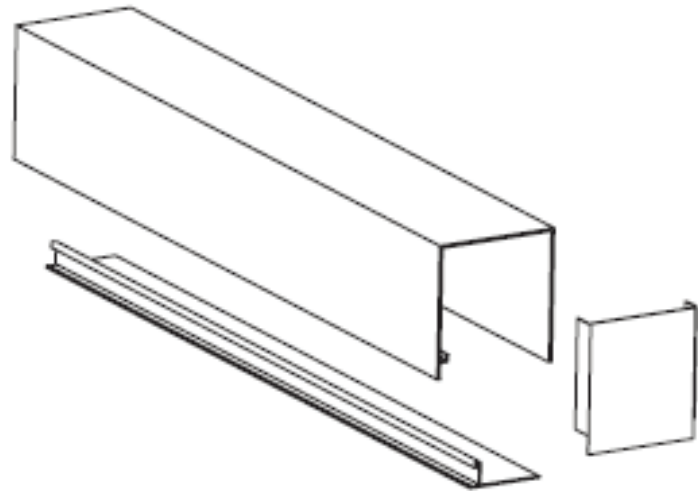
Nice

Tools Needed



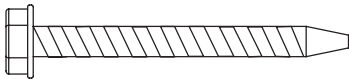
3-Sided Pocket

(1) Pocket, (1) Flap and (2) End Caps (if applicable)



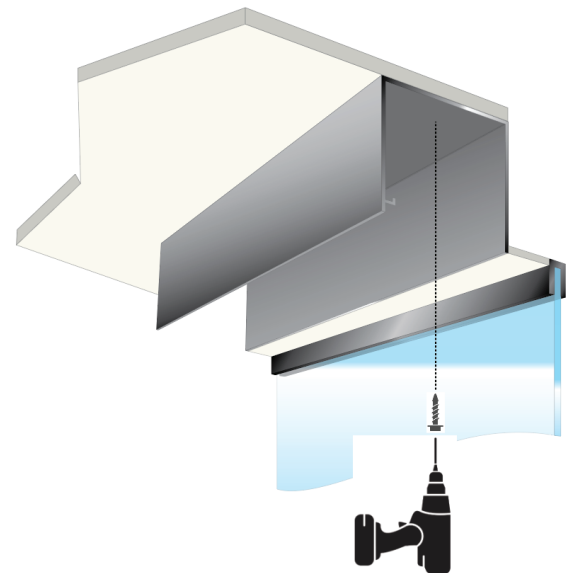
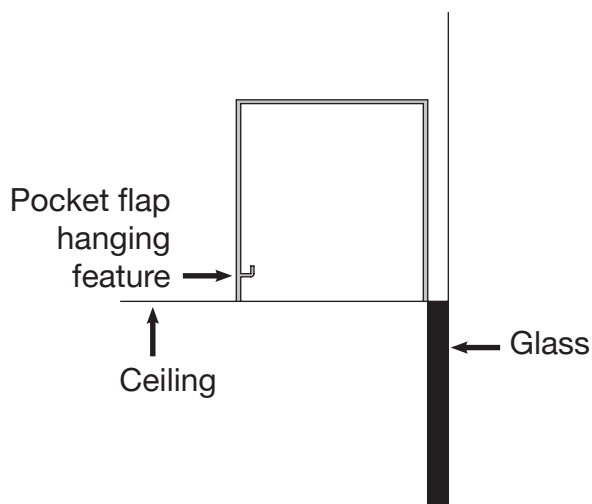
Recommended Mounting Screws

(#8 x 1.75 in (#8 x 44 mm) Hex head screws)



Mount Pocket

If End Caps are being used, slide them in the ends of the pockets. End Caps should only be used if the pocket ends will be exposed. Mount the pocket securely using appropriate fasteners.



CAUTION

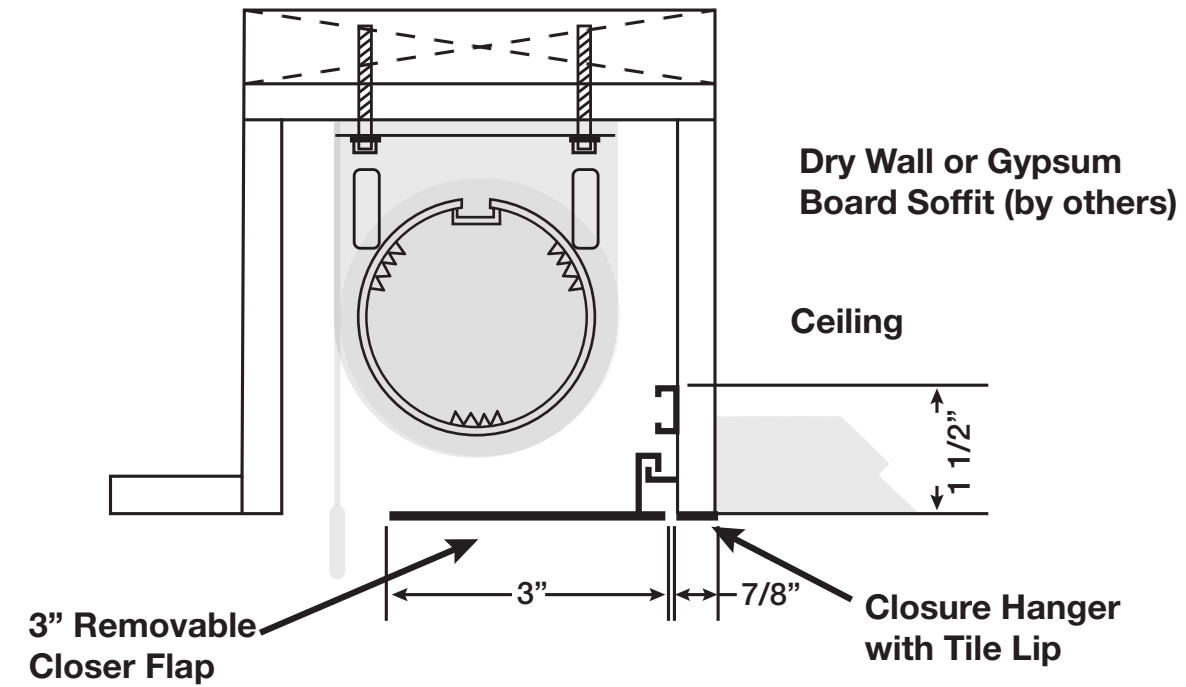
Risk of Bodily Injury from Falling Heavy Object.

The Shade Brackets for each pocket must be mounted to support a weight of at least 300 pounds (136 kg).

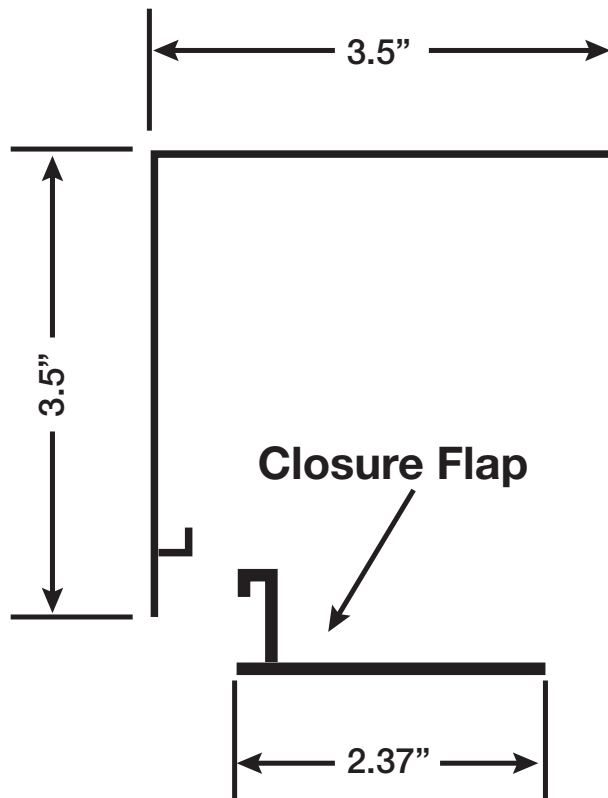
Screws must be at least 6 inches (152 mm) inside fabric width to avoid shade-brackets.

Confirm that the pocket flap hanging feature is on side opposite of the glass before tightening screws.

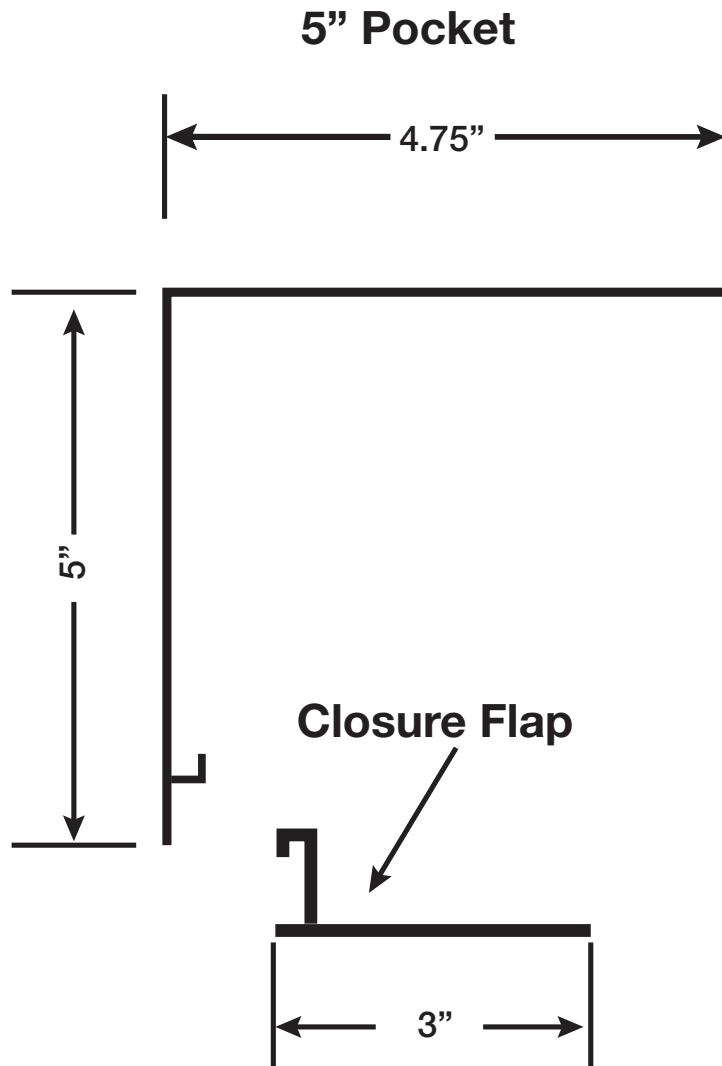
Open Roll Installation



3.5" Pocket



Open Roll Installation



Technical Support
760-438-7000
M – F, 6:00 a.m. – 4:00 p.m. PST

Nice North America
c/o Customer Service
5919 Sea Otter Place, Ste. 100
Carlsbad, CA 92010



[Niceforyou.com](https://www.niceforyou.com)